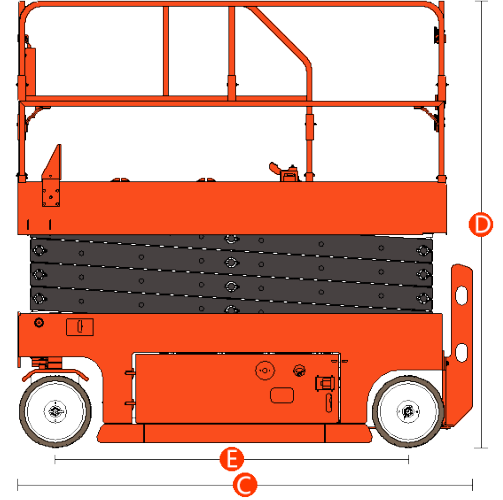


# GTJZ0808 - GTJZ08

Model	GTJZ0808	GTJZ0812
-------	----------	----------

<b>A</b> Platform y	8.1 m	
( " * )	10.1 m	
<b>B</b> h y	0.9 m	
<b>C</b> U y	2.39 m	
U 8	0.81 m	
<b>D</b> M y	2.35 m	
	1.96 m	
	2.35 m	
<b>E</b> " " U	1.85 m	
	0.1 m	
Platform a	2.25 m	
<b>P</b>		
Ma M o	2 H U	2 H ) U
' M	250 kg	
y " " M	120 kg	2
o = "	0~3.2 km/h	0~
o = "	0~0.8 km/h	0~0.
u M **	25%	25%
) " "	0 m	0 ft
) " "	2.1 m	
M H o	33/37 s	33/37 s
M	\	\
' o	(	(
7	(	(
O " o	380 mm 125 mm	
<b>8</b>		
8 M	24VDC (4 6V; 225Ah )	24VDC (4 6V; 2 Ah )
H o M	18 L	O
8	3 KW	3 KW
° ***		
° H ) U	1 920 kg H	H )
y o	CE/ ISO/ ADR/ ARAMCO	CE/ ISO/ ADR/ ARAMCO



\* ofu R b e R e u e i e  
 \*\* d f u l b e P e  
 \*\*\* R f e U u l y e b o l o b i s e v e i P e

**ZHNLBDWIRUPDNH6D7LWGW**

Adres: OHFOLV ODK 7HUD]LOHU & DG 'HUYL! 6 RN 1 R 6 DQFDNWHSH

Tel: Email: LQIR@WHNLQSODWIRUP FRP

Web site: [www.WHNLQSODWIRUP.com](http://www.WHNLQSODWIRUP.com)